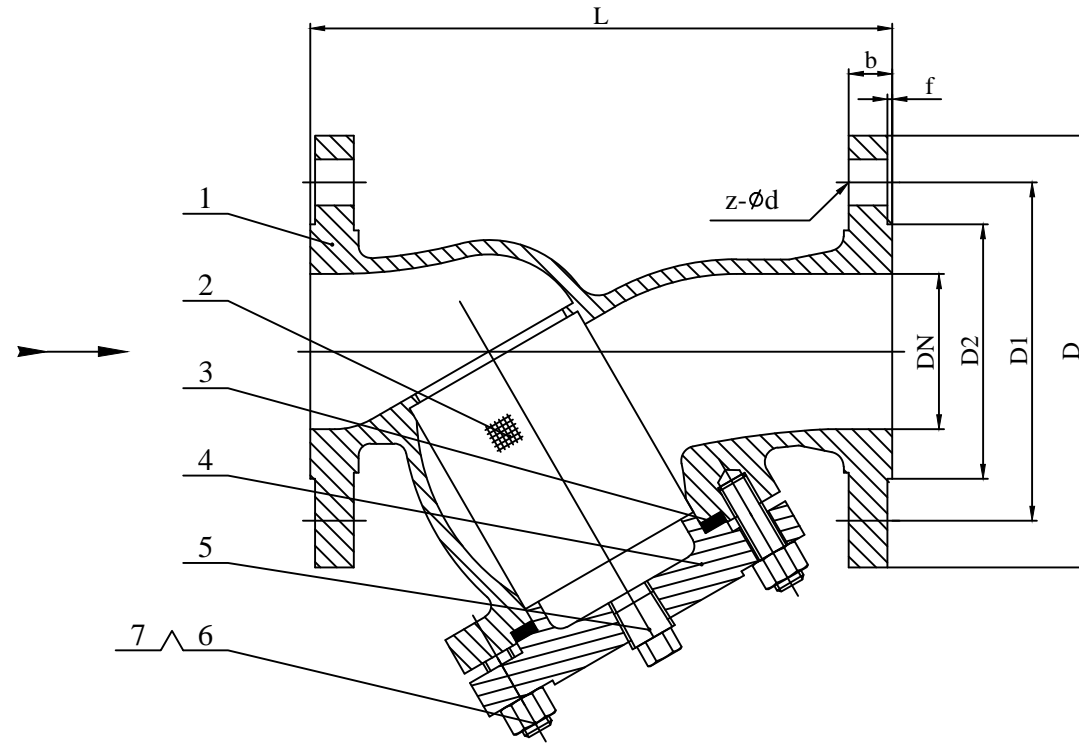


Performance specifications		
Nominal Pressure	PN16	Test Medium
Shell Strength	(2.4MPa)	Water
Suitable Temp	-29~425°C	
Media	Water/Steam/Oil	



Technique request

1. Design: ASME B16.34
3. Face-to-face dimension: DIN3201-F1
4. RF Flanged: EN1092-1:2007 RF
5. Pressure Test: API598

DN	d	L	D	D1	D2	b	z-φd	f
15	φ15	130	φ95	φ65	φ45	16	4-φ14	2
20	φ20	150	φ105	φ75	φ58	18	4-φ14	2
25	φ25	160	φ115	φ85	φ68	18	4-φ14	2
32	φ32	180	φ140	φ100	φ78	18	4-φ18	2
40	φ40	200	φ150	φ110	φ88	18	4-φ18	3
50	φ50	230	φ165	φ125	φ102	18	4-φ18	3
65	φ65	290	φ185	φ145	φ122	18	8-φ18	3
80	φ80	310	φ200	φ160	φ138	20	8-φ18	3
100	φ100	350	φ220	φ180	φ158	20	8-φ18	3

07	Cover Nut	A194 8M
06	Cover Bolt	A193 B8M
05	Sewage bolts	A182 F316
04	Bonnet	A351 CF8M
03	Gasket	316+Graphite
02	Strainer	SS316
01	Body	A351 CF8M
No:	Part Name	Material(CF8M)
Client:		
Contract:		
DN:(15-100mm)	Y-Type strainer	PN:16
Quantity:	Designer:	Check by:
Weight:	Date:2015.04.1	Drawing:20150401001