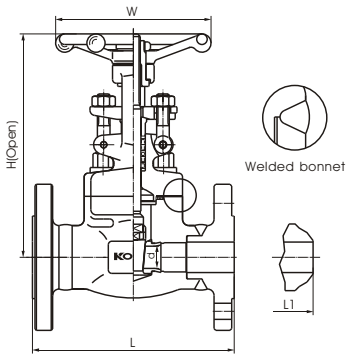




FORGED STEEL FLANGE GATE VALVES

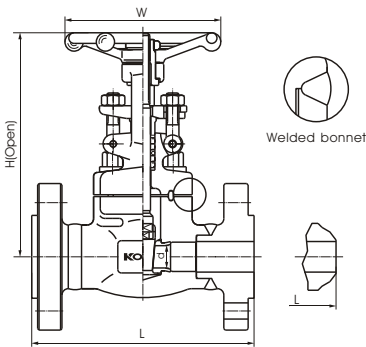


CL150-300-600

Bolted bonnet, reducing port outside screw and yoke(OS & Y)
Flange-welded or butt-welded ends; design to API602;BS5352

Specification(NPS)		1/4	3/8	1/2	3/4	1	1 1/4	1 1/2	2	2 1/2	
Face to face	CL150	-	-	108	117	127	140	165	178	190	
	CL300	-	-	140	152	165	178	190	216	241	
	CL600	-	-	165	190	216	229	241	292	330	
Handwheel diameter		W	-	-	100	100	125	160	160	200	
Height	CL150	H	-	-	176	184	217	226	250	290	357
	CL300,CL600	H	-	-	161	163	196	226	250	290	357
Height (angle dimension)		d	-	-	10	13.5	18	24	29	36.5	45
Weight (Kg)	CL150	RF	-	-	3.4	3.98	6.12	7.2	10.4	15.5	24.5
		BW	-	-	2.8	3.3	5.4	7.1	8.2	12.5	20
	CL300	RF	-	-	3.77	4.89	7.23	9.6	12.64	18	26.2
		BW	-	-	3.5	4.4	6.8	8.1	9.2	15.4	22
	CL600	RF	-	-	4.2	5.8	8.8	12.1	15.6	19.5	32
		BW	-	-	4.5	5.1	8.2	10.5	12.4	20.1	28

If you want to order one piece body, please contract with sale department

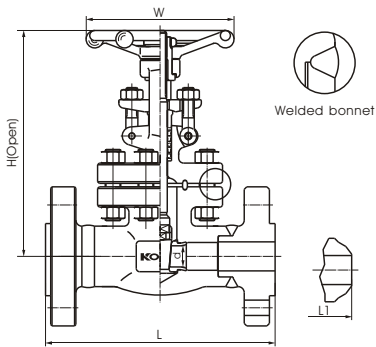


CL900-CL1500

Welded bonnet, full port outside screw and yoke(OS & Y)
Flange-welded or butt-welded ends; design to BS 5352

Specification(NPS)		1/4	3/8	1/2	3/4	1	1 1/4	1 1/2	2	
Face to face	L(RF),L1(BW)	-	-	216	229	254	279	305	368	
	L(RTJ)	-	-	216	229	254	279	305	371	
Handwheel diameter		W	-	-	125	125	160	180	200	220
Height		H	-	-	191	192	219	257	296	316
Height(angle dimension)		d	-	-	13.5	18	24	29	36.5	45
Weight(Kg)			-	-	7.2	11.5	15.6	16.2	22.6	28.2

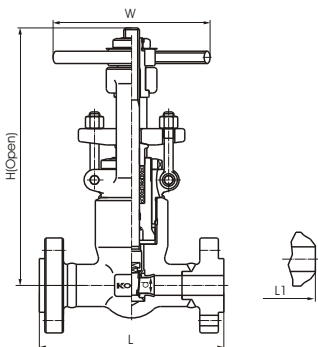
If you want to order one piece body, please contract with sale department



CL2500

Bolted bonnet, full port outside screw and yoke(OS & Y)
Flange-welded or butt-welded ends; design to ASME B16.34

Specification(NPS)		1/4	3/8	1/2	3/4	1	1 1/4	1 1/2	2
Face to face (mm)	L(RF),L1(BW)	-	-	264	273	308	-	384	451
	L(RTJ)	-	-	264	273	308	-	387	454
Handwheel diameter		W	-	-	125	160	160	200	240
Height		H	-	-	207	240	258	355	370
Height(angle dimension)		d	-	-	13.5	13.5	19	30	36.5
Weight(Kg)			-	-	19.5	21.5	42	65	95



CL2500

Pressure seal gate valves, full port outside screw and yoke(OS & Y)
Flange-welded or butt-welded ends; design to ASME B16.34

Specification(NPS)		1/4	3/8	1/2	3/4	1	1 1/4	1 1/2	2
Face to face	L(RF),L1(BW)	-	-	264	273	308	-	384	451
	L(RTJ)	-	-	264	273	308	-	387	454
Handwheel diameter		W	-	-	200	200	200	280	300
Height		H	-	-	325	325	327	478	540
Height(angle dimension)		d	-	-	13.5	13.5	19	30	36.5
Weight(Kg)			-	-	4.6	6.8	7.6	15	21.9